

# EASY DUCT™

## The New Standard for Industrial Round Duct Applications from Donaldson Torit

- *Simple* to install, no special tools or training required.
- *Clamp-together components* can be taken apart and reused.
- *Flexible*, easily connects to existing spiral duct.
- *Components and adapters* to fit every system.
- *Adjustable Easy Duct fittings* simplify connections.
- *Smooth interior surface* helps prevent clogs.

# EASY DUCT — EASY TO INSTALL.

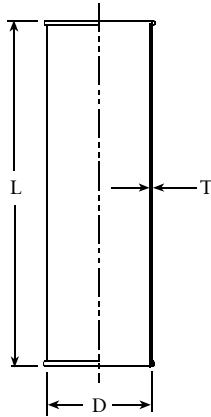
## Pipe

**Laser-welded seam with rolled ends.**



- Available in galvanized or stainless steel<sup>1</sup>.

<sup>1</sup> Add SS to part number for stainless steel.



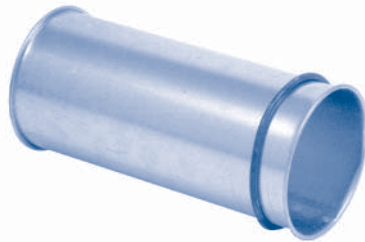
Diameter (inches)	Part No	Length (L)	Gauge (T)	Roll Dia (D)
3	20003	39.00	24	.2
4	20004	59.25	22	.2
5	20005	59.25	22	.2
6	20006	59.25	22	.2
7	20007	59.06	22	.3
8	20008	59.06	22	.3
9	20009	59.06	22	.3
10	20010	59.06	22	.3
11	20011	58.75	22	.3
12	20012	58.75	22	.4
13	20013	58.75	20	.4
14	20014	58.75	20	.4
15	20015	58.75	20	.4
16	20016	58.75	20	.4
17	20017	58.75	20	.4
18*	20018	58.75	20	.4

\* Larger diameters available

## Adjustable Nipple with O-Ring

**Telescoping action provides variable length adjustment of duct system.**

- Eliminates need for precision measurements.
- Reduces installation time.
- Available in galvanized or stainless steel<sup>1</sup>.



<sup>1</sup> Add SS to part number for stainless steel.

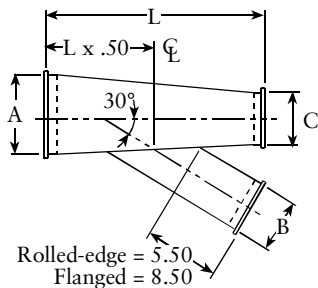
Diameter (inches)	Part No	Length (inches)	Standard Gauge
3	20203	11.25	22
4	20204	11.25	22
5	20205	11.25	22
6	20206	11.25	22
7	20207	11.12	22
8	20208	11.00	22
9	20209	11.00	22
10	20210	10.87	22
11	20211	10.62	22
12	20212	10.62	22
13	20213	10.62	20
14	20214	10.62	20
15	20215	10.62	20
16	20216	10.62	20
17	20217	10.62	20
18*	20218	10.62	20

\* Larger diameters available

## Branch



- Designate A, B, and C dimensions
- Price by dimension A



Rolled-edge all outlets:  
 $L = B \times 2 + 9$

Combination of rolled-edge and flanged outlets:  
 $L = B \times 2 + 15$

Diameter A (inches)	Part No	Gauge	Diameter A (inches)	Part No	Gauge
3	22003	22	14	22014	20
4	22004	22	15	22015	20
5	22005	22	16	22016	20
6	22006	22	17	22017	20
7	22007	22	18	22018	20
8	22008	22	20	22020	20
9	22009	22	22	22022	20
10	22010	22	24FL	22024	20
11	22011	22	26FL	22026	18
12	22012	22	28FL	22028	18
13	22013	20	30FL*	22030	18

\* Larger diameters available

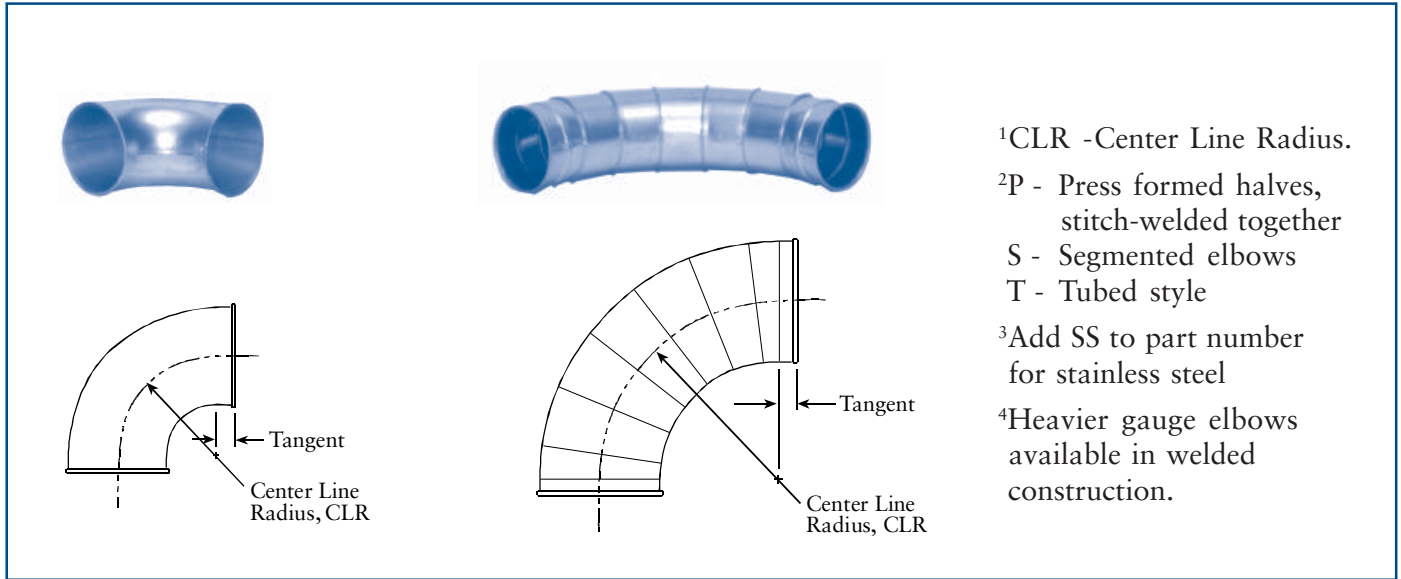
24-inch diameter and larger are available in flange only.

If A, B, or C is needed with a flange, add the price of the flange and designate by writing FL after the dimension the flange is applied to.

For example, a 9-inch diameter x 6-inch flanged x 5-inch branch is designated: 9-6FL-5.

# SIMPLE TO MODIFY.

## Elbow



<sup>1</sup>CLR -Center Line Radius.

<sup>2</sup>P - Press formed halves, stitch-welded together

S - Segmented elbows

T - Tubed style

<sup>3</sup>Add SS to part number for stainless steel

<sup>4</sup>Heavier gauge elbows available in welded construction.

## Elbow, Standard Radius

Diameter (inches)	CLR <sup>1</sup> x D		Style <sup>2</sup>		Gauge		90° Part #	60° Part #	45° Part #	30° Part #	All Tangent
	Galv	SS <sup>3</sup>	Galv	SS	Galv	SS					
3	1.5	1.5	S	T	24	14	21003 90	21003 60	21003 45	21003 30	1.32
4	1.0	1.5	P	T	24	14	21004 90	21004 60	21004 45	21004 30	1.32
5	1.0	1.5	P	T	24	14	21005 90	21005 60	21005 45	21005 30	1.32
6	1.0	1.5	P	T	24	14	21006 90	21006 60	21006 45	21006 30	1.32
7	1.0	1.5	P	S	24	22	21007 90	21007 60	21007 45	21007 30	1.32
8	1.5	1.5	S	S	22	22	21008 90	21008 60	21008 45	21008 30	2.25
9	1.5	1.5	S	S	22	22	21009 90	21009 60	21009 45	21009 30	2.25
10	1.5	1.5	S	S	22	22	21010 90	21010 60	21010 45	21010 30	2.25
11	1.5	1.5	S	S	22	22	21011 90	21011 60	21011 45	21011 30	2.25
12	1.5	1.5	S	S	22	22	21012 90	21012 60	21012 45	21012 30	2.25
13	1.5	1.5	S	S	20	20	21013 90	21013 60	21013 45	21013 30	2.25
14	1.5	1.5	S	S	20	20	21014 90	21014 60	21014 45	21014 30	2.25
15	1.5	1.5	S	S	20	20	21015 90	21015 60	21015 45	21015 30	2.25
16	1.5	1.5	S	S	20	20	21016 90	21016 60	21016 45	21016 30	2.25
17	1.5	1.5	S	S	20	20	21017 90	21017 60	21017 45	21017 30	2.25
18*	1.5	1.5	S	S	20	20	21018 90	21018 60	21018 45	21018 30	2.25

\* Larger diameters available

## Elbow, Long Radius

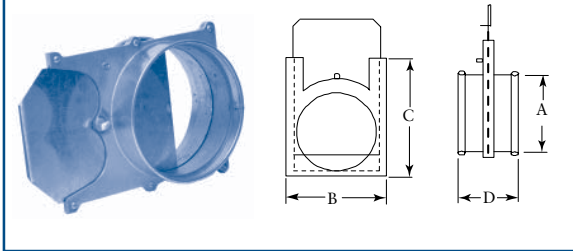
Diameter (inches)	CLR <sup>1</sup> x D		Style <sup>2</sup>		Standard Gauge <sup>4</sup>	90° Part #	60° Part #	45° Part #	30° Part #	All Tangent
	Galv	SS <sup>3</sup>	Galv	SS						
3	2.5	2.5	S	T	24	21003 90L	21003 60L	21003 45L	21003 30L	1.38
4	1.5	2.5	P	T	24	21004 90L	21004 60L	21004 45L	21004 30L	1.38
5	1.5	2.5	P	T	24	21005 90L	21005 60L	21005 45L	21005 30L	1.38
6	1.5	2.5	P	T	24	21006 90L	21006 60L	21006 45L	21006 30L	1.38
7	1.5	2.5	P	S	24	21007 90L	21007 60L	21007 45L	21007 30L	1.38
8	2.5	2.5	S	S	22	21008 90L	21008 60L	21008 45L	21008 30L	2.25
9	2.5	2.5	S	S	22	21009 90L	21009 60L	21009 45L	21009 30L	2.25
10	2.5	2.5	S	S	22	21010 90L	21010 60L	21010 45L	21010 30L	2.25
11	2.5	2.5	S	S	22	21011 90L	21010 60L	21010 45L	21010 30L	2.25
12	2.5	2.5	S	S	22	21012 90L	21012 60L	21012 45L	21012 30L	2.25
13	2.5	2.5	S	S	20	21013 90L	21013 60L	21013 45L	21013 30L	2.25
14	2.5	2.5	S	S	20	21014 90L	21014 60L	21014 45L	21014 30L	2.25
15	2.5	2.5	S	S	20	21015 90L	21015 60L	21015 45L	21015 30L	2.25
16	2.5	2.5	S	S	20	21016 90L	21016 60L	21016 45L	21016 30L	2.25
17	2.5	2.5	S	S	20	21017 90L	21017 60L	21017 45L	21017 30L	2.25
18*	2.5	2.5	S	S	20	21018 90L	21018 60L	21018 45L	21018 30L	2.25

\* Larger diameters available

# QUICK CLEAN OUT.

## Blast Gate

Provides efficient airflow balance in duct systems.

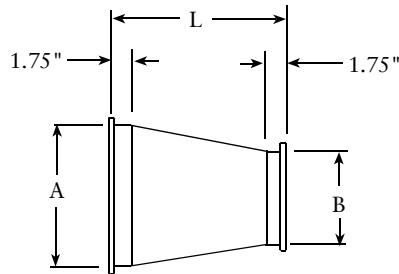


Diameter A (inches)	Part No	B	C	D
3	24003	4.25	7.00	5.25
4	24004	5.25	7.00	5.50
5	24005	6.12	6.25	5.75
6	24006	7.00	10.00	5.75
7	24007	8.00	11.12	5.37
8	24008	9.37	12.00	5.50
9	24009	11.00	13.25	5.50
10	24010	11.37	14.37	5.50
12	24012	13.50	16.25	5.25
14	24014	15.75	17.87	5.25
16	24016	18.00	28.50	11.75
18*	24018	20.80	32.75	11.75

\*Larger diameters available

## Reducer

Priced by largest diameter.  
Specify all end configurations (ID, OD, duct size, and flange style).



Notes:  
Rolled-edge  $L = A - B + 6$  or 7-inches min.  
Flanged  $L = A - B + 8$  or 9-inches min.

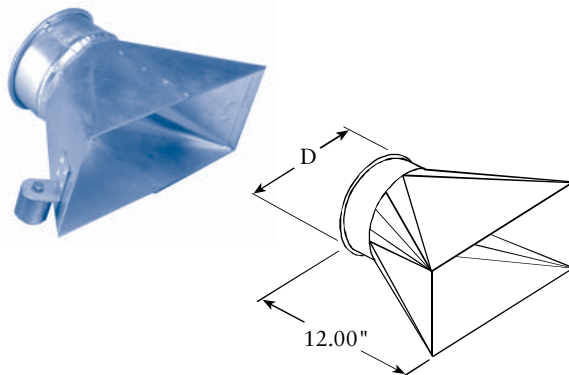
Diameter A (inches)	Part No	Gauge
3	22203	22
4	22204	22
5	22205	22
6	22206	22
7	22207	22
8	22208	22
9	22209	22
10	22210	22
11	22211	22
12	22212	20
13	22213	20
14	22214	22
15	22215	22
16	22216	20
17	22217	20
18*	22218	20

\*Larger diameters available

## Router Hood

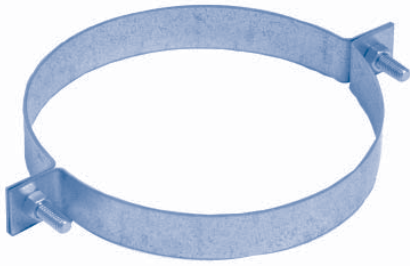
A simple transition from the unit's rectangular discharge to the round Easy Duct system.

- Standard 6 x 12-inch opening.
- Available with magnets.
- Edges are folded to inside for safety.



Diameter D (inches)	Part No
3	23103
4	23104
5	23105
6	23106
7	23107
8	23108
9	23109
10	23110

## Duct Hanger and Brace



### Duct Hanger, 14-ga Galvanized Steel

1. 5/16-inch clearance hole.
2. 1/4 x 3/4-inch bolts, supplied.
3. 24-inch diameter and larger available in flat-bar steel.



### Duct Brace, Galvanized

Sold in standard 10-ft lengths.

1. Cut to desired length and flatten ends.
2. Drill 3/8-inch hole in one end.
3. Connect to duct hanger and clamp.
4. Bolt other end to suspension point.

\* Larger diameters available

Diameter D (inches)	Hanger Part No
3	26503
4	26504
5	26505
6	26506
7	26507
8	26508
9	26509
10	26510
11	26511
12	26512
13	23513
14	26514
15	26515
16	26516
17	26517
18*	26518

Diameter D (inches)	Brace Part No
1/2	26801

## Hose

- Flexible rubber hose with steel coil.
- Flexible rigid hose in galvanized or stainless steel for high pressure and abrasive-material applications.
- Order hose clamps separate.
- FDA approved hose available upon request.

**Note:** Order minimum 5-ft in 5-ft increments.



Flexible Rubber Hose



Rigid Flex-Steel Hose

Diameter (inches)	Rubber Part No	Flex-Steel Part No
3	28003	28103
4	28004	28104
5	28005	28105
6	28006	28106
7	28007	28107
8	28008	28108
9	28009	28109
10	28010	28110
12	28012	28112
14*	28014	28114

\* Larger diameter available

## The Easy Duct Advantage

- *Simple* to install.
- *Clamp-together components* can be taken apart and reused.
- *Flexible*, easily connects to existing ductwork.
- *Components and adapters* to fit every system.
- *Adjustable fittings* simplify connections.
- *Smooth interior surface* helps prevent clogs.



**Donaldson**  
Filtration Solutions

Donaldson Company, Inc.  
Industrial Air Filtration  
P.O. Box 1299  
Minneapolis, MN 55440-1299

Tel 800-365-1331 (USA)  
Tel 800-343-3639 (Mexico)  
dustmktg@mail.donaldson.com  
www.donaldson.com

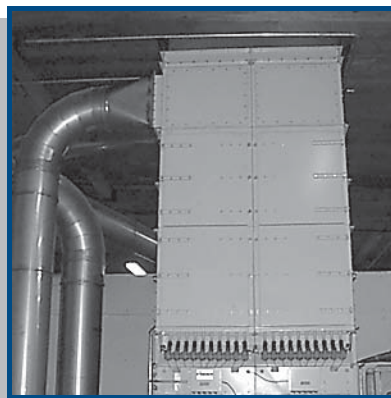
**Call for FREE Duct Design and Layout  
Easy Duct • 800-365-1331**

**To see our complete Easy Duct product offering  
please visit our website.**

# No WELDS. No RIVETS. No SCREWS.



*Straight duct from 3 to 24-inches diameter.*



*Standard or custom inlet and outlet connections available.*



*Drops where you need them. Reconfigure without tools.*

## ***Easy Duct Puts The Squeeze On Costly Conventional Joining Methods***

Easy Duct clamp-together components eliminate rivets, screws, welds and other time-consuming and costly joining methods. The Easy Duct adjustable nipple telescopes to eliminate precision measuring and wasted materials due to improper measurements.

## ***Easy Duct Is Not Only Quick – It's Strong***

The Easy Duct system starts with straight pipe in diameters from 3 to 24-inches and adds fittings, branches, elbows, hoods, and adaptors, specially machined so that each connecting end has double-rolled edges. When the Easy Duct clamp, complete with its built-in gasket, is snapped into place, the resulting seal is strong and airtight enough for nearly all dust collection and solid-material conveying applications.

## ***Easy Duct Keeps Operations Running***

Thanks to the Easy Duct clamp-together design, installation, clean out, and system changes take a fraction of the time it takes for traditional duct.

## ***Easy Duct Works For New Installations And Existing Systems***

Many of the largest manufacturing facilities built in the US today install complete Easy Duct systems. Easy Duct is simple to connect to existing duct systems. Plus, it's reusable and can accommodate floor plan changes or machinery replacement in a snap!

## ***Easy Duct Is Versatile***

Materials collected or conveyed through Easy Duct include, but are not limited to, sawdust, metal grinding, print powder, plastic pellets, dry concrete, smoke, fume, grain, lime, wood chips, mist, toner dust, paper trim, cocoa, and hundreds of others.

## **Clamp with PVC Foam Seal**

**Built-in gasket provides an airtight seal.**

- Optional PTFE seals available at additional charge.
- Supplied with galvanized cotter pin.
- Available in galvanized or stainless steel<sup>1</sup>.

<sup>1</sup>Add SS to part number for stainless steel.



Diameter (inches)	Part No
3	26003
4	26004
5	26005
6	26006
7	26007
8	26008
9	26009
10	26010
11	26011
12	26012
13	26013
14	26014
15	26015
16	26016
17	26017
18*	26018

\*Larger diameters available