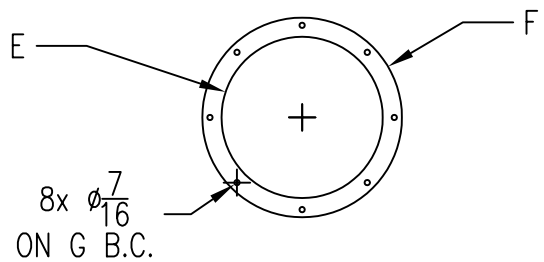
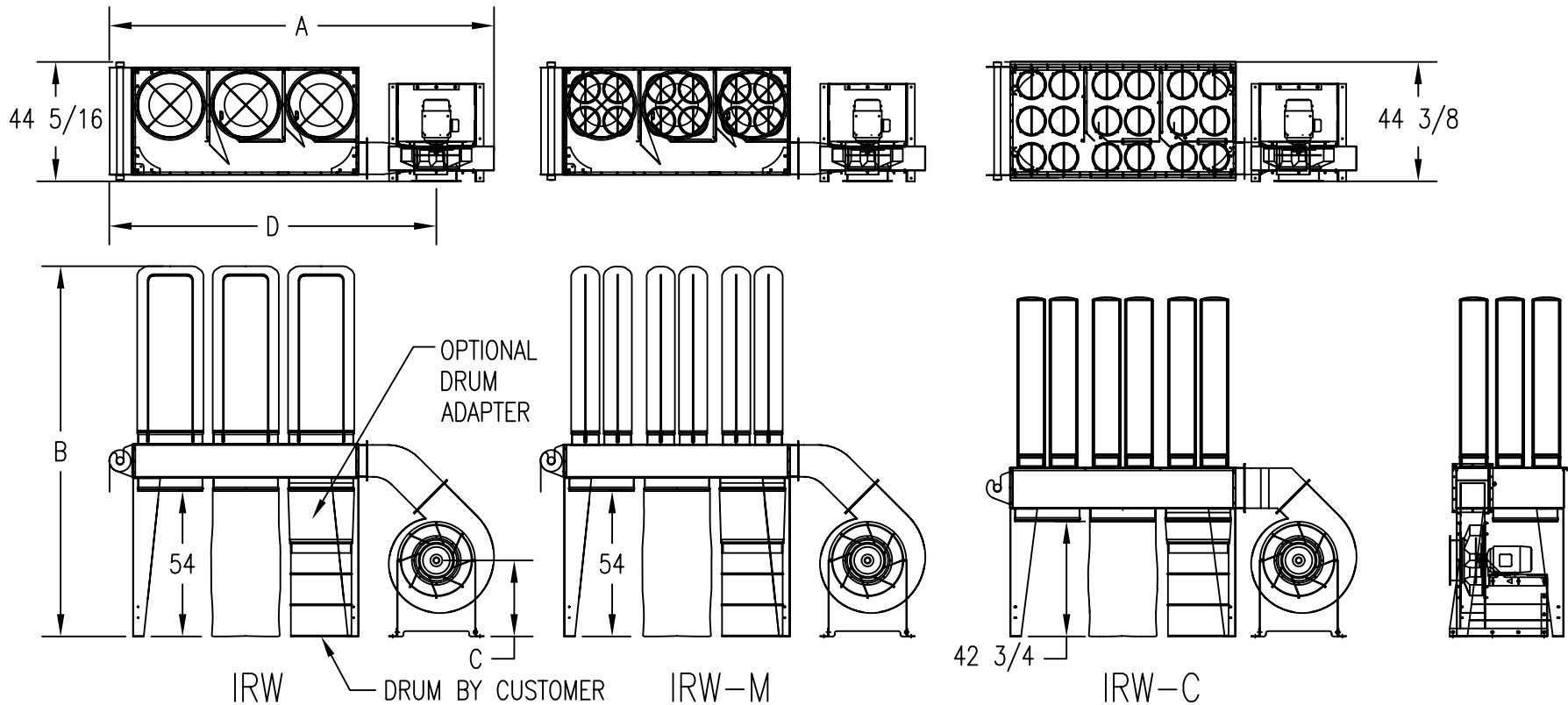


REV	DESCRIPTION	BY	DATE
-----	-------------	----	------



FAN INLET FLANGE DETAIL

MODEL	IRW/IRW-M		IRT		IRW		IRW-M		IRT		915 FAN					917 FAN					BAG QUANTITY		
	A	A	B	B	B	C	D	E	F	G	C	D	E	F	G	IRW	IRW-M	IRW-C					
360	142 7/8	137 3/8	137 1/2	137 1/2	137 1/2	28 1/4	121 7/16	15 1/4	18 1/4	17	N/A	N/A	N/A	N/A	N/A	3	12	18					
372	142 7/8	137 3/8	N/A	149 1/2	149 1/2	28 1/4	121 7/16	15 1/4	18 1/4	17	N/A	N/A	N/A	N/A	N/A	3	12	18					
390	142 7/8	N/A	167 1/2	N/A	N/A	28 1/4	121 7/16	15 1/4	18 1/4	17	N/A	N/A	N/A	N/A	N/A	3	12	18					
460	170 7/8	170 1/4	137 1/2	149 1/2	149 1/2	28 1/4	149 7/16	15 1/4	18 1/4	17	31 1/4	147 1/16	17 1/4	20 1/4	19	4	16	24					
472	170 7/8	170 1/4	N/A	137 1/2	137 1/2	28 1/4	149 7/16	15 1/4	18 1/4	17	31 1/4	147 1/16	17 1/4	20 1/4	19	4	16	24					
490	170 7/8	N/A	167 1/2	N/A	N/A	28 1/4	149 7/16	15 1/4	18 1/4	17	31 1/4	147 1/16	17 1/4	20 1/4	19	4	16	24					
560	198 7/8	199 1/2	137 1/2	149 1/2	149 1/2	28 1/4	177 7/16	15 1/4	18 1/4	17	31 1/4	175 1/16	17 1/4	20 1/4	19	5	20	30					
572	198 7/8	199 1/2	N/A	137 1/2	137 1/2	28 1/4	177 7/16	15 1/4	18 1/4	17	31 1/4	175 1/16	17 1/4	20 1/4	19	5	20	30					
590	198 7/8	N/A	167 1/2	N/A	N/A	28 1/4	177 7/16	15 1/4	18 1/4	17	31 1/4	175 1/16	17 1/4	20 1/4	19	5	20	30					

This print is the property of LMC and is loaned subject to recall at anytime without advanced notice and upon condition that the information therein contained will be used only as specifically authorized by the owner.

LMC 5300 CLAUS ROAD, RIVERBANK, CA 95367
 PH. 800-562-0072 FAX 209-869-0258
 www.lmcarter.com E-mail lmcwest@aol.com

UNLESS OTHERWISE SPECIFIED DIMENSIONS ARE IN INCHES.
 TOLERANCES ARE:
 FRACTIONS: .XX ± .010 ANGLES: ±1°
 ± 1/16 .XXX ± .005

SIZE: A	TITLE: IRW ALL MODELS GENERAL ARRANGEMENT
DRAWN BY: FK	
FILE NAME: IRWALL.dwg	
SCALE: 3/16=1'0	
DATE: 12-19-03	DWG. NO.: 20030945 JOB NO. FILTERS